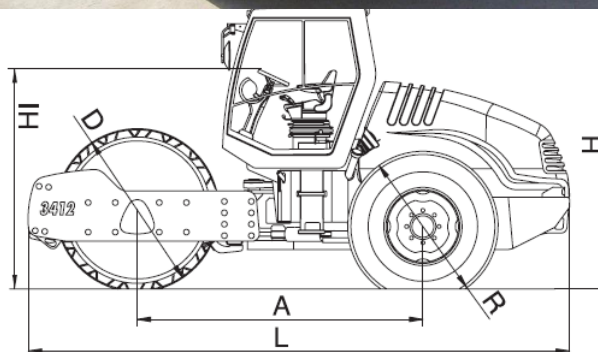




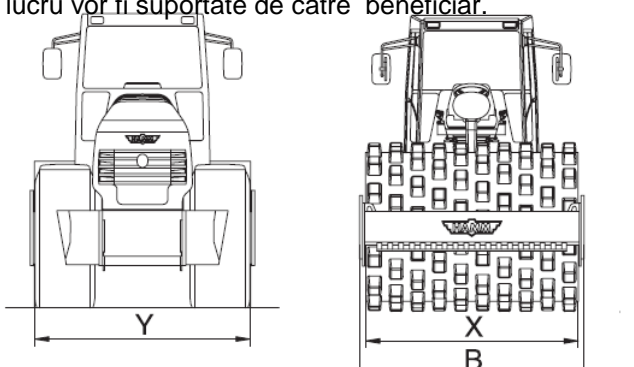
## Inchiriere CILINDRU COMPACTOR TERASIER HAMM 3412HT

MARCA: Hamm  
MODEL: 3412.  
An: 2012

GREUTATE: 12500 kg  
Tractiune Integrala All-wheel-drive,  
Latime de lucru 2140mm  
Raza de intoarcere 3690mm  
Dimensiune anvelope AW 23.1-26 12 PR  
Greutate de operare 12500 kg  
Greutate maxima 14500 kg  
Motor Deutz TCD 2012 L04  
4 Cilindri, racipre pe apa  
offset în comun,  
2 amplitudini,  
Hammtronic,  
Traction control  
Aer condiționat  
Sistem de masurare a compactarii  
Pneuri: 23.1 - 26  
Lungime 5705 mm  
Latime 2250 mm  
Inaltime 2990 mm



- \* Programul de lucru este de 9 ore de Luni pana Vineri de la 8:00 la 18:00
- \* Tarifele sunt calculate cu motorina beneficiarului
- \* Beneficiarul asigura mancarea si cazarea pentru operator
- \* Tarifele nu contin T.V.A.
- \* Dislocarea si relocarea utilajelor la /de la punctele de lucru vor fi suportate de catre beneficiar.



	3412 HT
L	5705
B	2250
H	2990
A	3015
X	2140
D	1504
Y	2130
R	1565
HI	2325



## 3412 HT / 3412 HT P

**3412 HT** - Compactor with vibratory smooth roller drum

**3412 HT P** - Compactor with vibratory padfoot drum



- ▶ Ergonomic driver seat for perfect all-round visibility
- ▶ Clear information display
- ▶ Hammtronic electronic machine management
- ▶ Excellent hill climbing ability via self-locking differential
- ▶ 3-point swivel joint for optimum driving comfort
- ▶ Hydrostatic steering
- ▶ Optimum ease of maintenance, long service intervals



# 3412 HT / 3412 HT P

3412 HT - Compactor with vibratory smooth roller drum  
3412 HT P - Compactor with vibratory padfoot drum



		3412 HT	3412 HT P
<b>Weights</b>			
Operating weight with ROPS	kg	11980	12080
Operating weight with cab	kg	12200	12300
Operating weight, max.	kg	15270	13830
Axle load, front/rear	kg	6705/5495	6805/5495
Load per tyre, rear	kg	2747,5	2747,5
Static linear load, front	kg/cm	31,3	
French classific., data/class		42,2/VM3	43,4/PM3
<b>Machine dimensions</b>			
Max. working width	mm	2140	2140
Turning radius, inside	mm	3690	3690
Number of padfeet			140
Height of the padfeet	mm		100
Front area of padfeet	cm <sup>2</sup>		152
Size of tyres, rear		AW 23.1-26 12 PR	TR 23.1-26 12 PR
<b>Diesel engine</b>			
Manufacturer		DEUTZ	DEUTZ
Type		TCD 2012 L04 2V	TCD 2012 L04 2V
Number of cylinders		4	4
Power rat. ISO 14396, kW/PS/rpm		100,0/136,0/2300	100,0/136,0/2300
Power rating SAE J1349, kW/HP/rpm		100,0/134,0/2300	100,0/134,0/2300
Emissions standard EU/USA		III A / Tier 3	III A / Tier 3
<b>Drive</b>			
Hydrostatic drive, front/rear		Hydraulic motor/axle	Hydraulic motor/axle
Regulation, infinitely variable		Hamtronic/manual	Hamtronic/manual
Speed, infinitely variable	km/h	0 - 14,0	0 - 14,0
Climbing ability, vibration on/off	%	58/63	65/70

## Vibration system

Hydrostatic drive

## Vibration

Vibration frequency, front, l/II	Hz	30/40	30/40
Amplitude, front, l/II	mm	1,91/0,90	1,90/0,90
Centrifugal force, front, l/II	kN	256/215	256/215

## Steering

Steering, type		Articulated steering	Articulated steering
Steering, actuation		hydrostatic, steering wheel	hydrostatic, steering wheel
Steering angle +/-	°	35	35
Oscillation angle +/-	°	10	10

## Equipment

Spring-mounted driver seat, Double-sided access, Seat console, can be moved and swivelled laterally, Continuously variable hydrostatic all-wheel drive, Excellent engine power with traction control, Automatic traction and slip control, Engine management, Speed pre-selection, Automatic frequency control with digital display, Swivelling steering and instrument console, Modern information and indicator display, Tilttable GRP bonnet

## Optional equipment

Spotlights, Exterior and interior mirrors, Radio, Heating with dust-free ventilation, Air conditioning, ROPS/FOPS, Sunroof, HCQ compaction meter, Sound insulation, HCQ printer, HCQ-GPS Documentation on compaction, Tachograph

<b>Total length</b>	<b>L</b>	<b>5705</b>	<b>5705</b>
<b>Width</b>	<b>B</b>	<b>2250</b>	<b>2250</b>
<b>Total height</b>	<b>H</b>	<b>2990</b>	<b>3010</b>
<b>Wheel base</b>	<b>A</b>	<b>3015</b>	<b>3015</b>
<b>Roller drum width</b>	<b>X</b>	<b>2140</b>	<b>2140</b>
<b>Drum diameter</b>	<b>D</b>	<b>1504</b>	<b>1684</b>
<b>Width over tyres</b>	<b>Y</b>	<b>2130</b>	<b>2130</b>
<b>Diameter of tyres</b>	<b>R</b>	<b>1565</b>	<b>1565</b>
<b>Height loading, min.</b>	<b>HI</b>	<b>2325</b>	<b>2325</b>

